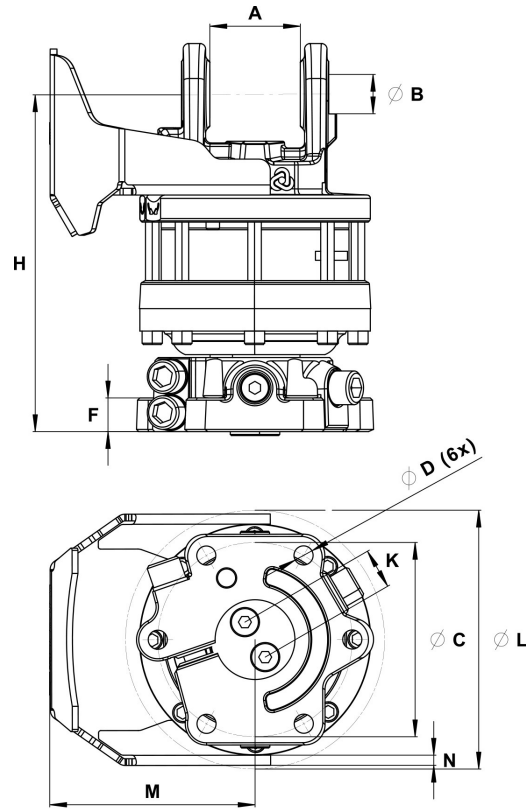
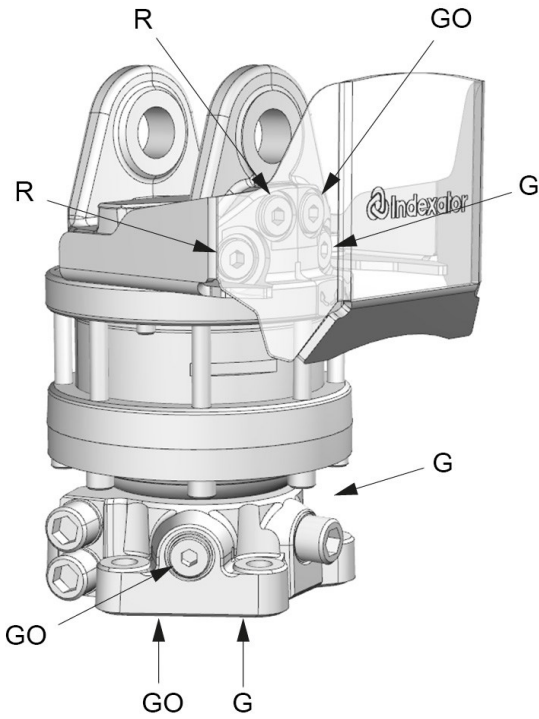


GV 6 Y










Part No.: 5006286

- Protected Hose Routing



| Upper connection | Lower connection |
|------------------|------------------|
| G 1/2 | G 1/2 |

| | | | | | | | | | |
|---------------|--------------|---------------|--------------|-------------|--------------|-------------|---------------|--------------|------------|
| A: 80,5 mm | B: Ø35 mm | C: Ø173 mm | D: Ø17 mm | F: 30 mm | H: 300 mm | K: 36 mm | L: Ø231 mm | M: 183 mm | N: 6 mm |
|---------------|--------------|---------------|--------------|-------------|--------------|-------------|---------------|--------------|------------|

| | | | | | | | | |
|--|---|---|---|--|---|--|--|--|
|  46 kg |  360° |  Max 60 kN |  Max 25 kN |  1400 Nm |  Max 25 l/min |  Max 20 MPa |  Max 20 MPa |  Max 30 MPa |
|--|---|---|---|--|---|--|--|--|

Adapter sets are available for alternative connections.

For further technical information relating to integration and hydraulic connections, please contact rotator@indexator.com