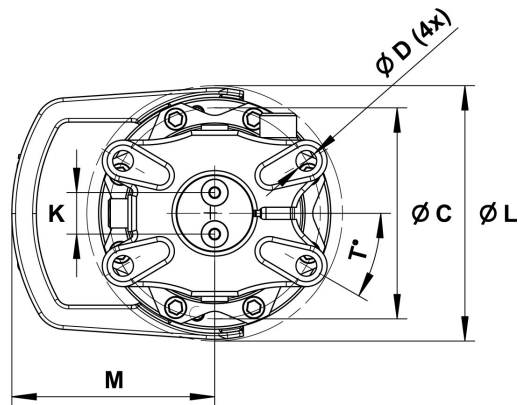
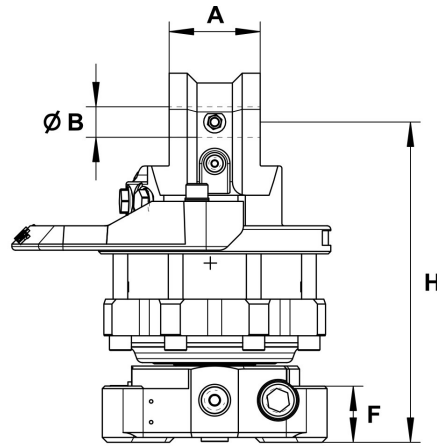
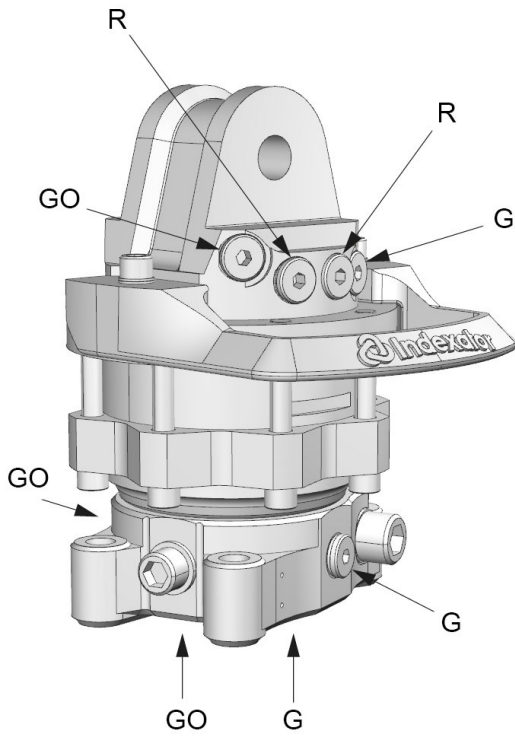


# GV 4 I

Part No.: 5002537



Upper connection	Lower connection
G 3/8	G 3/8

A: 75 mm	B: Ø25 mm	C: Ø173 mm	D: Ø17 mm	F: 46 mm	H: 263 mm	K: 34 mm	L: Ø207 mm	M: 166 mm	T: 30°
-------------	--------------	---------------	--------------	-------------	--------------	-------------	---------------	--------------	-----------

31.8 kg	360°	Max 45 kN	Max 25 kN	1150 Nm	Max 12 l/min	Max 25 MPa	Max 30 MPa	Max 30 MPa	Max 30 MPa

Adapter sets are available for alternative connections.

For further technical information relating to integration and hydraulic connections, please contact [rotator@indexator.com](mailto:rotator@indexator.com)